

CGA5H2NP02A822J115AA

TDK Item Description : CGA5H2NP02A822JT***



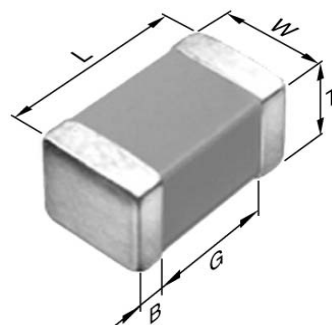
Equivalent C3216NP02A822J for Automotive

Application & Main Feature

Automotive Grade (High Temperature Application)

Series

CGA5(3216) [EIA CC1206]



Dimensions

L 3.20mm +/-0.2mm
W 1.60mm +/-0.2mm
T 1.15mm +/-0.15mm
B 0.20mm Min.
G 1.00mm Min.

Temperature Characteristic

NP0 (-55 to 150 degC 0+/-30ppm/degC)

Rated Voltage

2A (100Vdc)

Capacitance

8.2nF

Capacitance Tolerance

J (+/-5%)

Q Factor

1000 Min.

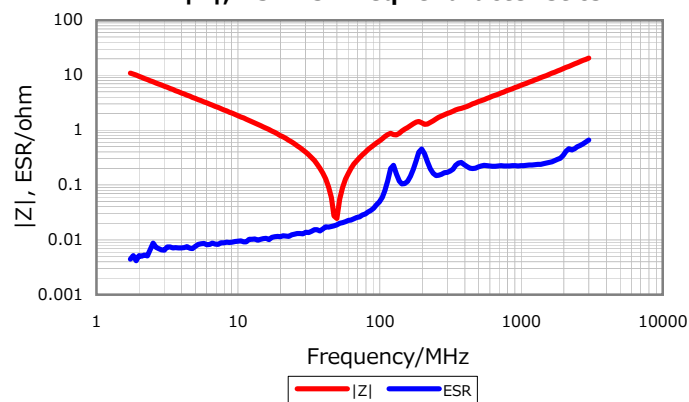
Insulation Resistance

10Gohm Min.

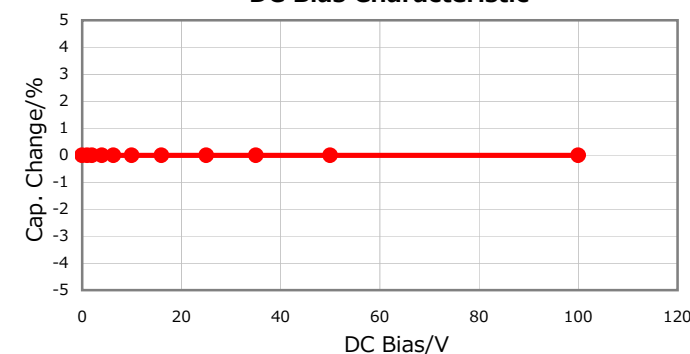
AEC-Q200

Yes

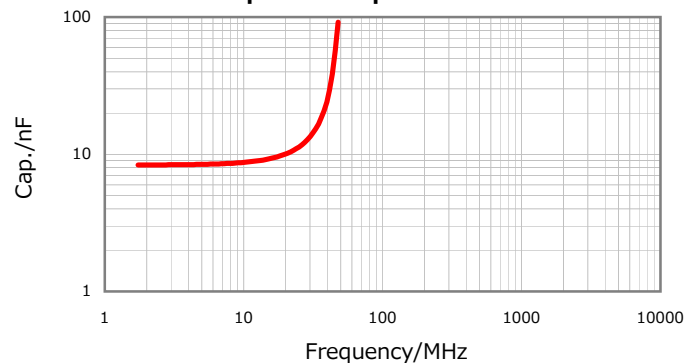
|Z|, ESR vs. Freq. Characteristics



DC Bias Characteristic



Cap. vs. Freq. Characteristic



Temperature Characteristics

